



Standard Test Method for Peel Strength (“T” Method) of Hook and Loop Touch Fasteners¹

This standard is issued under the fixed designation D 5170; the number immediately following the designation indicates the year of original adoption or, in the case of revision, the year of last revision. A number in parentheses indicates the year of last reapproval. A superscript epsilon (ϵ) indicates an editorial change since the last revision or reapproval.

1. Scope

1.1 This test method measures peel strength of hook and loop touch fasteners using a recording constant-rate-of-extension tensile testing machine (CRE).

1.2 *This standard does not purport to address all of the safety problems, if any, associated with its use. It is the responsibility of the user of this standard to establish appropriate safety and health practices and determine the applicability of regulatory limitations prior to use.*

1.3 The values stated in inch-pound units are to be regarded as the standard.

2. Referenced Documents

2.1 ASTM Standards:

D 76 Specification for Tensile Testing Machines for Textiles²

D 123 Terminology Relating to Textiles²

D 618 Practice for Conditioning Plastics and Electrical Insulating Materials for Testing³

3. Significance and Use

3.1 This test method gives a measure of a key property of hook and loop touch fasteners which is of interest to users of such devices. This is a means of determining the resistance to separation when forces are applied normal to the line of separation of the fastener.

3.2 The force registered in a peel test is irregular, and as a consequence, empirical methods have had to be developed to obtain usable values related to peel strength. In spite of the empirical nature of the reported values, it is believed they reflect comparative performance of similar touch fasteners tested and measured in the same way.

3.3 Two optional methods of calculation are provided: integrator average and average of five highest peaks. These test methods are not equivalent. Generally, the integrator average will be lower than the average of the five highest peaks.

3.4 The highest peaks which reflect the force required to

separate a hook and loop closure bear no simple relationship to the average force (integrator average). The average of the five highest peaks better reflect performance but the integrator results may be used to characterize a closure and for quality control purposes. The integrator average is relatively easy to calculate given the proper equipment.

3.5 In the case of a dispute arising from differences in reported test results when using this test method for acceptance testing of commercial shipments, the purchaser and the supplier should conduct comparative tests to determine if there is a statistical bias between their laboratories. Competent statistical assistance is recommended for the investigation of bias. As a minimum, the two parties should take a group of test specimens which are as homogenous as possible and which are from a lot of hook and loop of the type in question. The test specimens should then be randomly assigned in equal numbers to each laboratory for testing. The average results from the two laboratories should be compared using Student's t-test and an acceptable probability level chosen by the two parties before the testing began. If a bias is found, either its cause must be found and corrected or the purchaser and the supplier must agree to interpret future test results in the light of the known bias.

4. Apparatus

4.1 *Roller*—consisting of a smooth steel surface, approximately 4¾ in. (121 mm) in diameter, 2¼ in. (57 mm) wide, and equipped with a handle, length 4⅞ in. (105 mm), for propelling the roller back and forth without adding additional weight to the specimen being rolled (See Fig. 1). The weight of the roller (including the handle) is 11 ± ¼ lbs. (4994 g ± 114 g).

4.2 *Testing Machine*—A constant rate of extension (CRE) tensile tester shall be used. The tester shall have two clamps with centers in the same plane, parallel to the direction of the motion of the stressing clamp, and so aligned that they will hold the specimen ends wholly in the same plane; a means of moving the stressing clamp at a uniform rate of 12.0 ± 0.5 in/min (305 ± 13 mm/min), an autographic device for recording the load; and provided with an integrator if the integrator average is to be used.

4.2.1 The instrument shall be calibrated to an accuracy of 1.0 % of the full scale and the scale range used for the test shall be such that the main test falls within 20 to 80 % of full range.

¹ This test method is under the jurisdiction of ASTM Committee D-13 on Textiles and is the direct responsibility of Subcommittee D13.54 on Subassemblies.

Current edition approved June 10, 1998. Published March 1999. Originally published as D 5170 - 91. Last previous edition D 5170 - 91.

² *Annual Book of ASTM Standards*, Vol 07.01.

³ *Annual Book of ASTM Standards*, Vol 08.01.

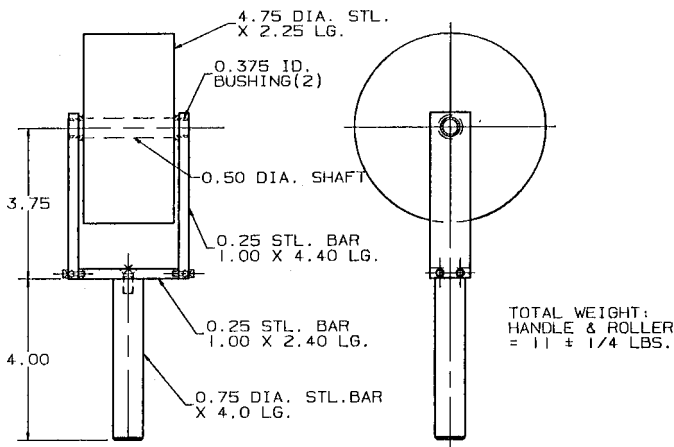


FIG. 1 Roller for Making Closure of Hook and Loop Touch Fasteners Prior to Testing

5. Sampling

5.1 Select the test samples so as to be as representative of the unit (a shipment, a lot, etc.) as possible.

5.2 Lot—A lot shall consist of all the material of the same type, color and width, made at the same time from the same materials in no more than a two week period. It shall be expressed in linear units of 10 000 yards (9144 m).

5.3 Sample Rolls—One roll shall be randomly selected from each linear unit 10 000 yards (9144 m). If the lot does not contain five units, additional rolls shall be selected from the lot to give a sample size of five rolls.

5.4 For specification purposes, the material under test must be mated with material supplied by the manufacturer of the material being tested.

6. Specimen Preparation

6.1 Hook and loop material for this test shall be in the width as supplied, not to exceed 1 in. (25.4 mm) in width. For materials greater than 1 in. (25.4 mm), a 1 in. (25.4 mm) specimen shall be slit from the center of the sample. If material less than 1 in. (25.4 mm) wide is tested, test results will not be directly proportional to those obtained with the 1 in. (25.4 mm) wide material.

6.1.1 Remove the outer layer of each roll before selecting the required number of strips, hook and loop, 8 in. ± ¼ in. (203 ± 6 mm) long.

6.1.2 Each specimen is marked with an arrow (↑) pointing in the direction that the specimen is unwound from the roll. This arrow is marked on the specimen on the leading end as it is unwound from the roll. The arrow (↑) indicates the direction of the hooks and loops of the specimens.

6.1.3 Select a sample consisting of four contiguous specimens as described in 8.1.2 and mark them with the appropriate identification (roll number, lot number, date, etc). There are four possible direction configurations of closure as shown in Fig. 2. The four specimens of hook and loop selected will be used to characterize the peel strength of each of the configurations.

7. Conditioning

7.1 Condition the specimens in an atmosphere for testing of 23 ± 2°C (73.4°F ± 3.6°F) and 50 ± 5 % relative humidity, as

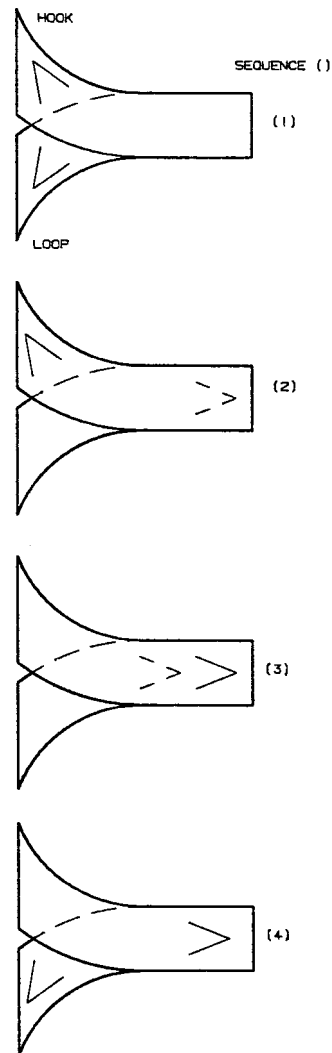


FIG. 2 Test Configurations for "T" Peel Strength of Hook and Loop Fasteners (Not to Scale)

described in Practice D 618, for a period of 24 h or until the specimens reach moisture equilibrium. Lay specimens flat with the functional side up so that the conditioning atmosphere has free access to them.

8. Procedure

8.1 An initial closure is made and separated to raise the loops that might have been compressed in packaging.

8.2 Select from the four specimens of hook and loop, the first closure to be tested and referring to Fig. 2, prepare the first closure specimen with the marked arrows as shown in Sequence 1.

NOTE 1—The reason for testing all four possible closure configurations is that the hook or loop material, or both, may have directionality (that is, the hooks or loops may not be perpendicular to the base fabric of which they are a component), and affect the peel force.

8.2.1 Carefully align and superimpose the hook strip over the loop strip so that the hook strip covers the loop strip, and the marked ends are matched as shown in Fig. 2, Sequence 1.

8.2.2 Place a flat steel plate 8 in. (20 cm) long and 1½ in. (4 cm) wide and weighing 4 pounds (1814 gm) (approximately

equivalent to .5 lbs per in² of closure) onto the closure, completely covering it, slowly, and without adding any hand pressure. After 2 s remove the plate. This initial mating of the closure is done to create just enough hook and loop engagement so as to be able to continue with the test procedure.

8.2.3 Securely fasten the two ends of the mated hook and loop to a hard flat surface such as a metal plate, table top, etc. using masking tape, staples, clamps, hook and loop straps, or the like.

8.2.4 Push the roller without adding weight (from the end of the closure to be separated by the tensile tester) over the entire length of the joined strips and then pull it back over the entire length. This constitutes one cycle; a continuous uninterrupted back and forth motion of the roller, without lifting it from the material. Each cycle should take about 2 s.

8.2.4.1 Perform five (5) cycles with the roller without lifting it from the material. Remove the specimen from the holder, then hand separate this initial closure from the end indicated to be joined in the tester clamps as indicated in Fig. 2, Sequence 1.

8.2.5 Then, again carefully align and superimpose the hook strip over the loop strip so that the hook strip covers the loop strip, and the marked ends, as described in 6.1.2, are matched. Then, again make the closure as described in 8.2.1-8.2.4, above. This will result in a “Ready for Peel Test” specimen.

8.3 Prepare the second closure specimen as described in 8.2.1-8.2.4 except with the marked ends as shown in Sequence 2 of Fig. 2.

8.4 Prepare the third closure specimen as described in 8.2.1-8.2.4 except with the marked ends as shown in Sequence 3 of Fig. 2.

8.5 Prepare the fourth closure specimen as described in 8.2.1-8.2.4 except with the marked ends as shown in Sequence 4 of Fig. 2.

8.6 In the sequence in which the closure specimens were prepared, select them for testing in the tensile tester. Gently separate approximately one inch of closure at the end to be placed into the clamps as indicated in Fig. 2 and in the sequence shown. This will create two free ends to be inserted into the tensile tester.

8.7 Position the clamps of the tensile tester so they are $1 \pm \frac{1}{8}$ in. (25.4 ± 3 mm) apart. Place the free ends of the specimen to be tested in the clamps of the tester with the hook strip in the moving clamp. The point of separation should be approximately centered and aligned approximately parallel to the clamps. Use a clamp separation speed of 12.0 ± 0.5 in./min (305 ± 13 mm/min). If an integrator is used, set it such that the first and last inches of separation are not included in the results.

8.8 Observe the chart paper produced by the autographic recorder. A jagged line having multiple peaks will be produced. Make note on the recording chart of the test specimen number and sequence number from Fig. 2.

9. Calculation

9.1 Calculate the average peel force of the sample using the “average of five highest peaks” method.

9.1.1 Mark five successive equal portions on the chart excluding the first and last inch of separation.

9.1.2 Determine the highest peak value in each portion.

9.1.3 Calculate the average of these five highest values for each of the four specimens.

9.1.4 Calculate the average of the values from the four closures representing the four configurations.

9.2 Calculate the average peel force of the sample using the “Integrator” method.

9.2.1 Calculate the average of the integrator values from the four closures representing the four directions.

9.2.2 Calculate the average of the values from each of the five samples.

9.3 If specimens less than 1 in. (25.4 mm) wide are tested, record the average peel force and list the actual width.

10. Report

10.1 Report the following information:

10.1.1 State that the specimens were tested as directed in ASTM Test Method D 5170.

10.1.2 Describe the material or product sampled (including type, color, source and manufacturer’s code or part number),

10.1.3 The width of the material tested and whether the width was as supplied or slit down to 1 in. (25.4 mm) as required in 8.1,

10.1.4 The calculation method used: that is, average of five highest peaks or integrator average,

10.1.5 Average peel force per width of each sample to the nearest 0.1 lb (.445 Newtons).

11. Precision and Bias

11.1 *Precision*—Based on limited testing from one laboratory using integrator averages, the within-laboratory or repeatability standard deviation is about 0.24 lb or the coefficient of variation is about 0.18. Repeatability is dependent on the specific material being tested; some materials would be expected to be higher or lower than this. Between-laboratory reproducibility is being determined by the subcommittee.

11.2 *Bias*—The procedure in Test Method D 5170 for measuring the peel strength of hook and loop touch fasteners has no bias because the value of the peel strength of hook and loop touch fasteners can be determined only in terms of a test method.

12. Keywords

12.1 fastener; hook and loop; hook; loop; peel; peel strength; touch fastener

 **D 5170**

The American Society for Testing and Materials takes no position respecting the validity of any patent rights asserted in connection with any item mentioned in this standard. Users of this standard are expressly advised that determination of the validity of any such patent rights, and the risk of infringement of such rights, are entirely their own responsibility.

This standard is subject to revision at any time by the responsible technical committee and must be reviewed every five years and if not revised, either reapproved or withdrawn. Your comments are invited either for revision of this standard or for additional standards and should be addressed to ASTM Headquarters. Your comments will receive careful consideration at a meeting of the responsible technical committee, which you may attend. If you feel that your comments have not received a fair hearing you should make your views known to the ASTM Committee on Standards, at the address shown below.

This standard is copyrighted by ASTM, 100 Barr Harbor Drive, PO Box C700, West Conshohocken, PA 19428-2959, United States. Individual reprints (single or multiple copies) of this standard may be obtained by contacting ASTM at the above address or at 610-832-9585 (phone), 610-832-9555 (fax), or service@astm.org (e-mail); or through the ASTM website (www.astm.org).